

## Load Distribution Center

La Marche LDC delivers the highest level of circuit protection and offers a robust and innovative configuration that simplifies any installation. It is available in four different models: 8, 12, 20, and 24 circuit breaker positions, with the option to include a main breaker. The LDC breakers are 2 pole, 250 VDC and minimum 10 kAIC rated. Loads are connected directly to the breaker, in order to establish a more secure and reliable connection. The field installable breaker kits makes future expansion much simpler.

In order to prevent accidental contact, the enclosure includes a hinged front access door and protective front cover.



### Standard Features

- UL 489 Listed Breakers
- 250 VDC @ 10 KAIC
- NEMA 1 Enclosure
- 8, 12, 20, 24 Positions
- Top/Bottom Conduit Entry

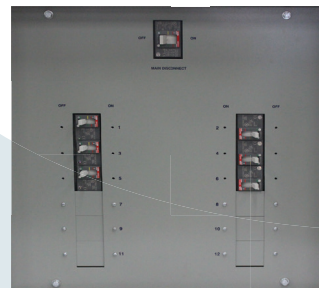
OPTIONAL: (48N) No Conduit Holes

### 8 Position

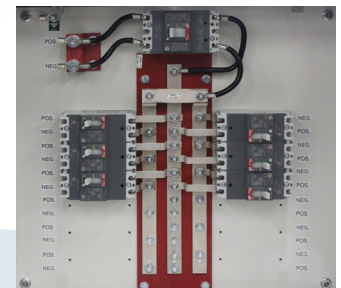
- 400 amp bus rating
- Main Breaker up to 400A  
Available breaker ratings:  
100, 125, 150, 175, 200, 225, 250, 300, 400
- 2 positions for Branch Breakers from 125-250A  
Available breaker ratings:  
125, 150, 175, 200, 225, 250
- 6 positions for Branch Breakers up to 100A  
Available breaker ratings:  
15, 20, 25, 30, 40, 50, 60, 70, 80, 90, 100

### 12 Position

- 250 amp bus rating
- Main Breaker up to 250A  
Available breaker ratings:  
100, 125, 150, 175, 200, 225, 250
- Branch Breakers up to 100A  
Available breaker ratings:  
15, 20, 25, 30, 40, 50, 60, 70, 80, 90, 100



Door Removed



Breaker Cover Removed

### 20 Position

- 400 amp bus rating
- Main Breaker up to 400A  
Available breaker ratings:  
100, 125, 150, 175, 200, 225, 250, 300, 400
- 4 positions for Branch Breakers from 125-250A  
Available breaker ratings:  
125, 150, 175, 200, 225, 250
- 16 positions for Branch Breakers up to 100A  
Available breaker ratings:  
15, 20, 25, 30, 40, 50, 60, 70, 80, 90, 100

### 24 Position

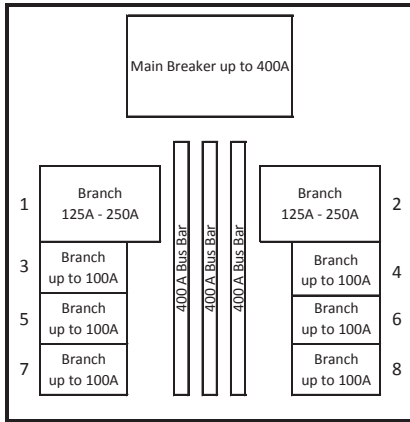
- 250 amp bus rating
- Main Breaker up to 250A  
Available breaker ratings:  
125, 150, 175, 200, 225, 250
- Branch Breakers up to 100A  
Available breaker ratings:  
15, 20, 25, 30, 40, 50, 60, 70, 80, 90, 100



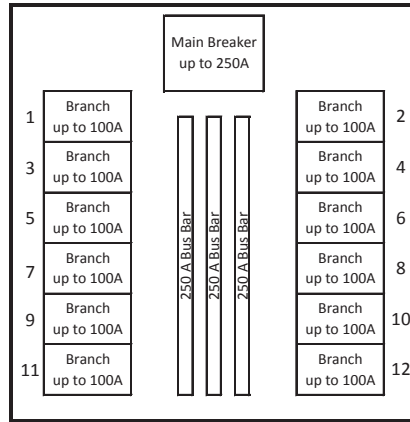


**La MARCHÉ**®

### 8 Position



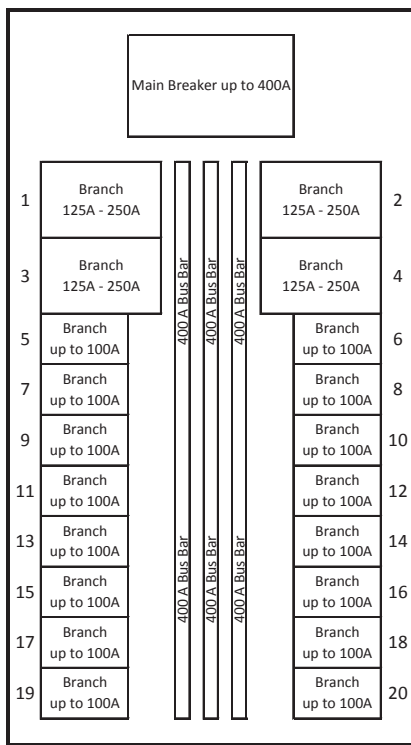
### 12 Position



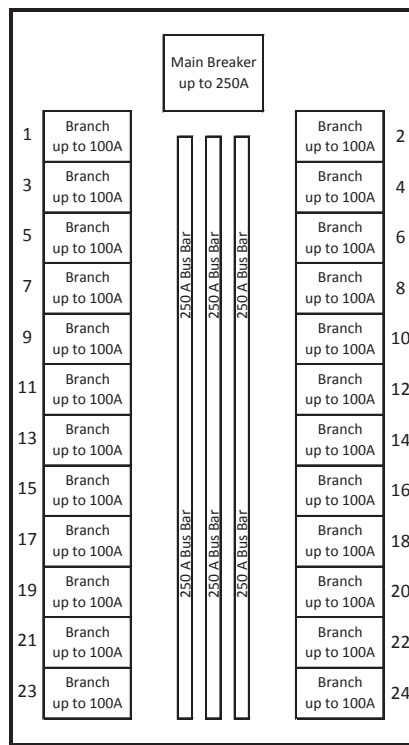
### Dimension Chart

Circuit Breaker Position	Overall Dimensions (H x W x D)
8	24" x 24" x 8.75" 610mm x 610mm x 222mm
12	24" x 24" x 8.75" 610mm x 610mm x 222mm
20	36" x 24" x 8.75" 914mm x 610mm x 222mm
24	36" x 24" x 8.75" 914mm x 610mm x 222mm

### 20 Position



### 24 Position



### Ordering Information

When Ordering, Please Specify:

- La Marche Model Number
- Number of Breaker Positions
- Main Breaker Rating
- Branch Breakers Ratings
- Optional Accessories

### Model Number Nomenclature

**LDC - M100 - 12 - XX - XXXXX**

Model Number ————  
 Main Breaker Rating ————  
 M0 = No Main Breaker ————  
 Breaker Positions ————

Custom Configuration Code ————  
 Breaker Combination Code ————

**Breaker Positions**  
 8, 12, 20, 24

**La Marche Mfg. (A U.S. Company)**  
 106 Bradrock Drive, Des Plaines, IL 60018  
 Tel: 847.299.1188 Fax: 847.299.3061  
 sales@lamarchemfg.com  
 www.lamarchemfg.com